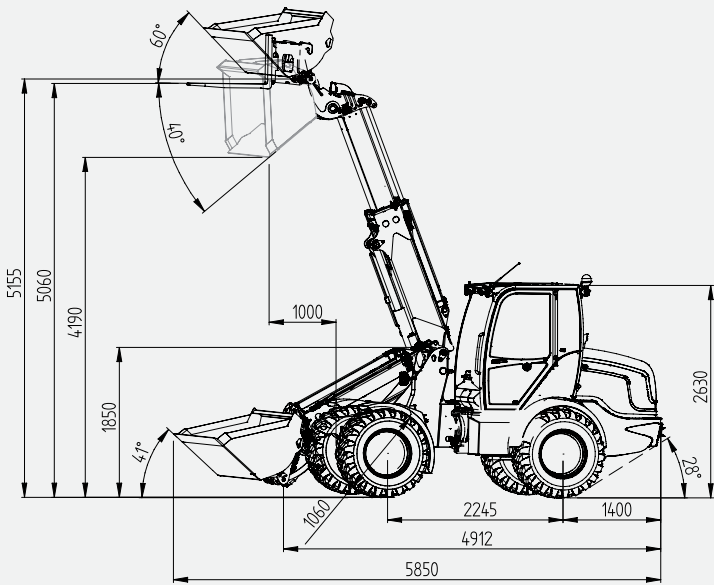


THE NEW GIANT TELEHANDLERS

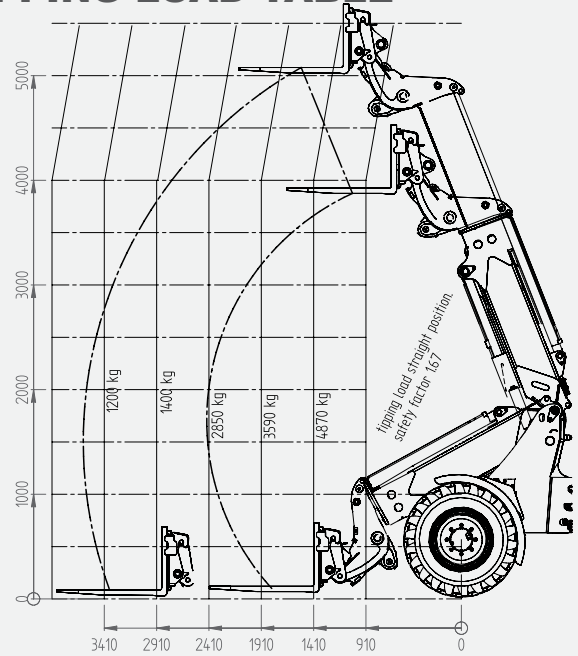
V501 TELE & V761T TELE



TECHNICAL DATA



TIPPING LOAD TABLE



V501 TELE

Engine	DEUTZ D 2.9 L04 (4 cylinder), 50 pk / 36 kW Stage IIIA
Weight	5900 kg
Tipping load	See lifting table
Lifting height	5159 mm
Driving hydraulics	Bosch Rexroth 150 L/min (480 bar)
Working hydraulics	80 L/min (250 bar)
Tyres	405/70-20 16PR MPT-01 AS
Driving speed	25 km/h
Parking brake	Hydraulic disk brake SAHR
Attachment bracket	GIANT LARGE hydraulic (800 mm)

V761T TELE

Engine	DEUTZ TD 2.9 L04 (4 cylinder), 76 pk / 55,6 kW Stage IIIB / Tier 4 Final
Weight	6000 kg
Tipping load	See lifting table
Lifting height	5159 mm
Driving hydraulics	Bosch Rexroth 150 L/min (480 bar)
Working hydraulics	80 L/min (250 bar) (Option LS 150 L/min)
Tyres	405/70-20 16PR MPT-01 AS
Driving speed	25 km/h (Option: 35 km/h)
Parking brake	Hydraulic disk brake SAHR
Attachment bracket	GIANT LARGE hydraulic (800 mm)

TYRES



TYPE	SIZE	TOTAL WIDTH
AS	405x70-20	1800 mm
AS	12,5-20 MPT-01	1720 mm
EM	405x70R18 EM-01	1800 mm
EM	405x70R20 EM-01	1800 mm
GSP	500x45-22,5	1890 mm
AS	600x40-22,5 TR12	2080 mm

MANY OPTIONS

- ✓ MANY HYDRAULIC OPTIONS AVAILABLE
- ✓ COMFORT PACKAGE
- ✓ FLOW SHARING
- ✓ HIGH OIL FLOW THROUGH LOAD SENSING
- ✓ VARIOUS TYRES
- ✓ HITCH WITH BRAKE VALVE
- ✓ CLIMATE CONTROL
- ✓ VARIOUS COLORS
- ✓ FILTERKIT
- ✓ DEALER SERVICE KIT
- ✓ INTEGRATED CONTRA WEIGHTS
- ✓ ENGINE MOUNTED ON SILENT BLOCKS
- ✓ STANDARD GIANT LARGE HYDR. ATTACHMENT BRACKET

**MORE INFO? VISIT:
WWW.TOBROCO.COM**

Data is subject to change.